

X6 series electrical knockout enclosures - polycarbonate

Product overview

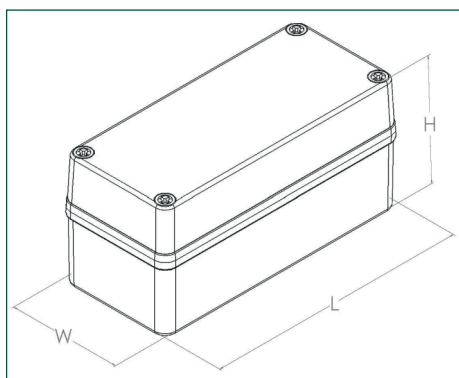
- Screw type lid with knock out base
- Moulded in high quality polycarbonate
- PCB pillars in the base for PCB mounting
- Gasket supplied
- Clear lid option available
- Captive, polyamide screws included
- Two larger sizes include two brass inserts at either end of the base
- Can be mounted directly to the wall or with the mount bracket accessory
- X6 series has been designed to meet the requirements of IP66/67
- IK07/08 impact tested

CHDX6



SPECIFICATION

Materials	Polycarbonate UL94-V0
Operating temperature	-40°C to + 120°C
Protection class	X6 series has been designed to meet the requirements of IP66/67, IK07/08
Standard colours	Grey, transparent lid option
Standard unit includes	Box, lid, 4 screws
Available accessories	Mount plates and wall mounts



SOLID LID	CLEAR LID	LENGTH	WIDTH	HEIGHT
CHDX6-221	CHDX6-221C	110mm	80mm	70mm
CHDX6-222	CHDX6-222C	110mm	80mm	85mm
CHDX6-223	CHDX6-223C	130mm	80mm	70mm
CHDX6-224	CHDX6-224C	130mm	80mm	85mm
CHDX6-225	CHDX6-225C	180mm	80mm	70mm
CHDX6-226	CHDX6-226C	180mm	80mm	85mm
CHDX6-227	CHDX6-227C	250mm	80mm	70mm
CHDX6-228	CHDX6-228C	250mm	80mm	85mm
CHDX6-229	CHDX6-229C	175mm	127mm	75mm
CHDX6-230	CHDX6-230C	175mm	127mm	100mm

KEY FEATURES

Designed to IP66/67 | IK07/08 impact tested | Metric sized knockouts



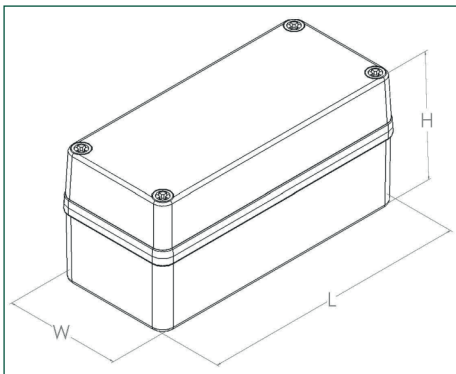
X6 series electrical knockout enclosures - ABS

Product overview

- Screw type lid with knock out base
- Moulded in high quality ABS
- PCB pillars in the base for PCB mounting
- Gasket supplied
- Clear lid option available
- Captive, polyamide screws included
- Two larger sizes include two brass inserts at either end of the base
- Can be mounted directly to the wall or with the mount bracket accessory
- X6 series has been designed to meet the requirements of IP66/67
- IK07/08 impact tested

SPECIFICATION

Materials	ABS UL94-HB
Operating temperature	-40°C to + 85°C
Protection class	X6 series has been designed to meet the requirements of IP66/67, IK07/08
Standard colours	Grey, transparent lid option
Standard unit includes	Box, lid, 4 screws
Available accessories	Mount plates and wall mounts



SOLID LID	CLEAR LID	LENGTH	WIDTH	HEIGHT
CHDX6-321	CHDX6-321C	110mm	80mm	70mm
CHDX6-322	CHDX6-322C	110mm	80mm	85mm
CHDX6-323	CHDX6-323C	130mm	80mm	70mm
CHDX6-324	CHDX6-324C	130mm	80mm	85mm
CHDX6-325	CHDX6-325C	180mm	80mm	70mm
CHDX6-326	CHDX6-326C	180mm	80mm	85mm
CHDX6-327	CHDX6-327C	250mm	80mm	70mm
CHDX6-328	CHDX6-328C	250mm	80mm	85mm
CHDX6-329	CHDX6-329C	175mm	127mm	75mm
CHDX6-330	CHDX6-330C	175mm	127mm	100mm

KEY FEATURES

High quality ABS | Designed to IP66/67 | IK07/08 impact tested



268
HANDHELD CASES

292
UNIVERSAL
ENCLOSURES

318
HEAVY DUTY
AND ELECTRICAL
ENCLOSURES

342
DESKTOP AND
INSTRUMENT
CASES

348
DEVELOPMENT
BOARD
ENCLOSURES

367
ROOM SENSOR
ENCLOSURES

370
CUSTOM SIZED
ENCLOSURES

ACCESSORIES

Vents to fit X6, X7 and X8 enclosures

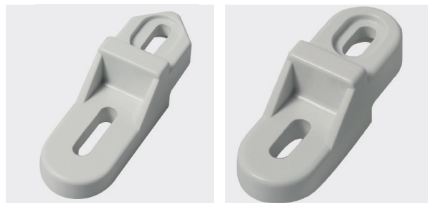
- Vents in two sizes for heat extraction
- The vent includes a gasket for water resistant applications
- Designed to meet the requirements of IP34



PART NO.	CUTOUT DIAMETER	MATERIAL
CHDA201V	63	Polycarbonate
CHDA202V	88	Polycarbonate
CHDA301V	63	ABS
CHDA302V	88	ABS

Mounting brackets to fit X6, X7 and X8 enclosures

- Brackets to mount each enclosure to any surface/wall
- See cross reference page 328 to select the correct size for your enclosure
- Sold individually



PART NO.	SIZE
CHDAPB01	1
CHDAPB02	2

Mounting plates to fit X6, X7 and X8 enclosures

- Mounting plates for each enclosure available
- See cross reference page 329 to select the correct size for your enclosure



PART NO.	LENGTH	WIDTH
CHDASMP21	65mm	95mm
CHDASMP22	65mm	115mm
CHDASMP23	65mm	165mm
CHDASMP24	65mm	235mm
CHDASMP25	101mm	161mm
CHDASMP26	159mm	159mm
CHDASMP27	159mm	248mm
CHDASMP28	248mm	348mm
CHDASMP29	295mm	395mm
CHDASMP30	85mm	232mm
CHDASMP32	129mm	179mm
CHDASMP33	129mm	224mm
CHDASMP34	166mm	266mm
CHDASMP35	179mm	179mm
CHDASMP36	216mm	316mm
CHDASMP37	262mm	262mm
CHDASMP38	265mm	365mm
CHDASMP39	358mm	458mm
CHDASMP40	450mm	555mm
CHDASMP41	550mm	755mm

PLASTIC ENCLOSURES

326

+44 (0)1638 716101 | sales@camdenboss.com | www.camdenboss.com

We operate a constant improvement policy, our products are subject to change without notice.

Vers 3



ACCESSORIES

Dual door to fit the X8 enclosure

- Dual door available for some sizes
- Easy to assemble, sturdy construction
- See cross reference page 328 to select the correct size for your enclosure



PART NO.	KIT INCLUDES
CHDX807DD	4 legs, 1 door, 1 door handle, 1 frame, 8 screws
CHDX808DD	4 legs, 1 door, 1 door handle, 1 frame, 8 screws
CHDX810DD	4 legs, 1 door, 1 door handle, 1 frame, 8 screws
CHDX811DD	4 legs, 1 door, 1 door handle, 1 frame, 8 screws
CHDX812DD	4 legs, 1 door, 1 door handle, 1 frame, 8 screws
CHDX813DD	4 legs, 1 door, 1 door handle, 1 frame, 8 screws
CHDX814DD	4 legs, 1 door, 1 door handle, 1 frame, 8 screws

Lock to fit the X8 enclosure

- One or two locks can be fitted, depending on security level required
- See cross reference page 328 to select the correct size for your enclosure



PART NO.	SIZE
CHDA01L	1
CHDA02L	2
CHDA03L	3
CHDA04L	4

268
HANDHELD CASES

292
UNIVERSAL
ENCLOSURES

318
HEAVY DUTY
AND ELECTRICAL
ENCLOSURES

342
DESKTOP AND
INSTRUMENT
CASES

348
DEVELOPMENT
BOARD
ENCLOSURES

367
ROOM SENSOR
ENCLOSURES

370
CUSTOM SIZED
ENCLOSURES

ACCESSORIES FOR X6, X7 AND X8 SERIES

ENCLOSURE PART NO.		W/MOUNT		LOCKS				DUAL DOOR						
POLY	ABS	CHDA PB01	CHDA PB02	CHDA 01IL	CHDA 02IL	CHDA 03IL	CHDA 04IL	CHDX807DD	CHDX808DD	CHDX8010DD	CHDX811DD	CHDX812DD	CHDX813DD	CHDX814DD
CHDX6-221	CHDX6-321	●												
CHDX6-222	CHDX6-322	●												
CHDX6-223	CHDX6-323	●												
CHDX6-224	CHDX6-324	●												
CHDX6-225	CHDX6-325	●												
CHDX6-226	CHDX6-326	●												
CHDX6-227	CHDX6-327	●												
CHDX6-228	CHDX6-328	●												
CHDX6-229	CHDX6-329	●												
CHDX6-230	CHDX6-330	●												
CHDX7-221	CHDX7-321		●											
CHDX7-222	CHDX7-322		●											
CHDX7-223	CHDX7-323		●											
CHDX7-224	CHDX7-324		●											
CHDX7-225	CHDX7-325		●											
CHDX7-226	CHDX7-326		●											
CHDX7-227	CHDX7-327		●											
CHDX7-228	CHDX7-328		●											
CHDX7-229	CHDX7-329		●											
CHDX7-230	CHDX7-330		●											
CHDX7-231	CHDX7-331		●											
CHDX7-232	CHDX7-332		●											
CHDX8-221	CHDX8-321	●		●										
CHDX8-222	CHDX8-322	●		●										
CHDX8-223	CHDX8-333	●		●										
CHDX8-224	CHDX8-324	●		●										
CHDX8-225	CHDX8-325	●		●										
CHDX8-226	CHDX8-326	●		●										
CHDX8-227	CHDX8-327		●		●			●						
CHDX8-228	CHDX8-328		●		●				●					
CHDX8-229	CHDX8-329		●	●										
CHDX8-230	CHDX8-330		●		●					●				
CHDX8-231	CHDX8-331		●		●						●			
CHDX8-232	CHDX8-332		●		●							●		
CHDX8-233	CHDX8-333		●			●							●	
CHDX8-234	CHDX8-334		●				●							●
CHDX8-235	CHDX8-335		●				●							
CHDX8-236	CHDX8-336		●				●							

*Add 'c' suffix for clear lid versions



PLASTIC ENCLOSURES

328



ENCLOSURE PART NO.		MOUNTING PLATES																								
POLY	ABS	CHDASMP21	CHDASMP22	CHDASMP23	CHDASMP24	CHDASMP25	CHDASMP26	CHDASMP27	CHDASMP28	CHDASMP29	CHDASMP30	CHDASMP31	CHDASMP32	CHDASMP33	CHDASMP34	CHDASMP35	CHDASMP36	CHDASMP37	CHDASMP38	CHDASMP39	CHDASMP40	CHDASMP41	CHDASMP42	CHDASMP43	CHDASMP44	CHDASMP45
CHDX6-221	CHDX6-321	●																								
CHDX6-222	CHDX6-322	●																								
CHDX6-223	CHDX6-323		●																							
CHDX6-224	CHDX6-324		●																							
CHDX6-225	CHDX6-325			●																						
CHDX6-226	CHDX6-326			●																						
CHDX6-227	CHDX6-327				●																					
CHDX6-228	CHDX6-328				●																					
CHDX6-229	CHDX6-329					●																				
CHDX6-230	CHDX6-330					●																				
CHDX7-221	CHDX7-321						●																			
CHDX7-222	CHDX7-322							●																		
CHDX7-223	CHDX7-323								●																	
CHDX7-224	CHDX7-324									●																
CHDX7-225	CHDX7-325										●															
CHDX7-226	CHDX7-326								●																	
CHDX7-227	CHDX7-327									●																
CHDX7-228	CHDX7-328																							●		
CHDX7-229	CHDX7-329																								●	
CHDX7-230	CHDX7-330									●																
CHDX7-231	CHDX7-331																									●
CHDX7-232	CHDX7-332																									●
CHDX8-221	CHDX8-321										●															
CHDX8-222	CHDX8-322											●														
CHDX8-223	CHDX8-323												●													
CHDX8-224	CHDX8-324													●												
CHDX8-225	CHDX8-325														●											
CHDX8-226	CHDX8-326															●										
CHDX8-227	CHDX8-327																●									
CHDX8-228	CHDX8-328																	●								
CHDX8-229	CHDX8-329																		●							
CHDX8-230	CHDX8-330																			●						
CHDX8-231	CHDX8-331																				●					
CHDX8-232	CHDX8-332																					●				
CHDX8-233	CHDX8-333																						●			
CHDX8-234	CHDX8-334																							●		
CHDX8-235	CHDX8-335																								●	
CHDX8-236	CHDX8-336																								●	

*Add 'c' suffix for clear lid versions

